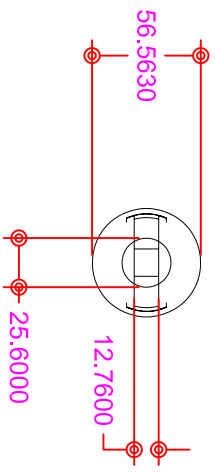


Side view
scale 1:150

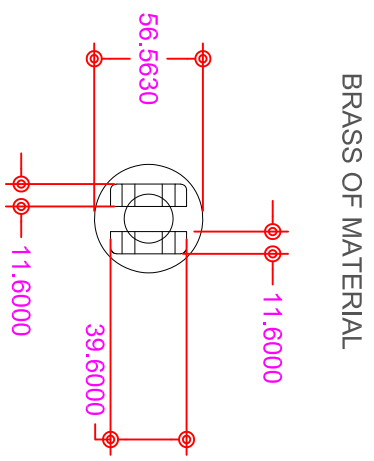
Top view
scale 1:100

Bottom view
scale 1:100

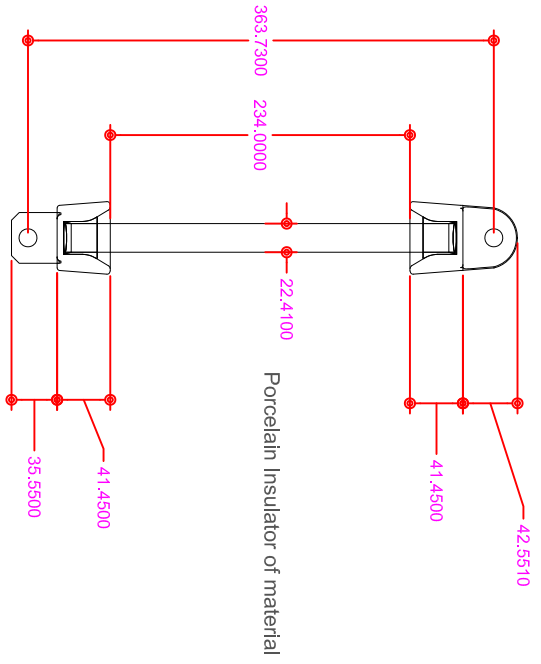
Side view
scale 1:150



ALUMINIUM OF MATERIAL



BRASS OF MATERIAL



Porcelain Insulator of material

Dimensions is changeable Should refer to the actual workpiece before the production process.